

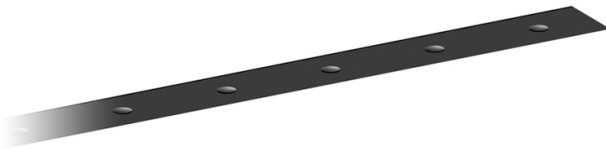
Design: O/M + Bartenbach GmbH

Recessed luminaire with housing and perforated cover plate made of aluminium with textured-paint finish.

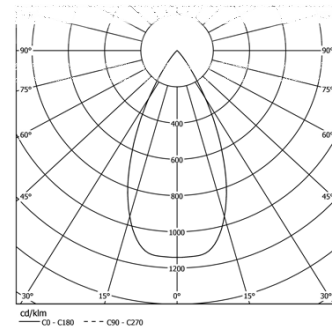
Aluminium end caps.

Easy recessing system with spring clips.

LED CRI>80 / >50.000h, L80/B10 / 3-step MacAdam
700mA power supply included.
IP20 | 230Vac | 50/60Hz



LED	4000K	Light Source	Luminaire
Power	24W		30W
Flux	2800lm		2200lm
Efficiency	117lm/W		73lm/W
LOR	-		79%
UGR	-		<13



Beam angle
Wide flood 50°

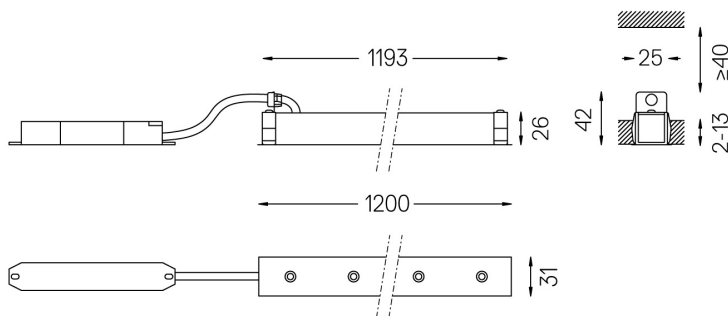
Application



Weight
2,4Kg

mm

26x1193



Finishes

- .01 White / RAL 9010
- .02 Black / RAL 9005