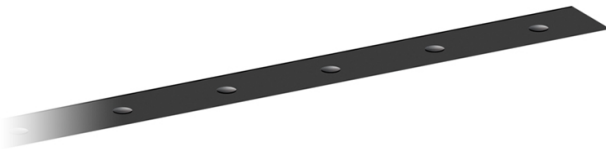


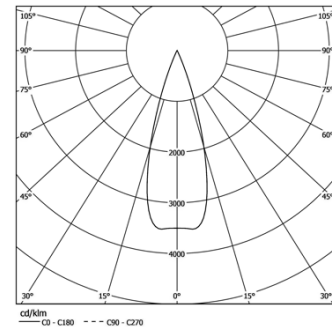
Design: O/M + Bartenbach GmbH  
Recessed luminaire with housing and perforated cover plate made of aluminium with textured-paint finish.

Aluminium end caps.  
Easy recessing system with spring clips.

LED CRI>90 / >50.000h, L80/B10 / 3-step MacAdam  
700mA power supply included.  
IP20 | 230Vac | 50/60Hz



LED	2700K	Light Source	Luminaire
Power	27W		30W
Flux	2400lm		1740lm
Efficiency	89lm/W		58lm/W
LOR	-		73%
UGR	-		<10



Beam angle  
Medium 30°

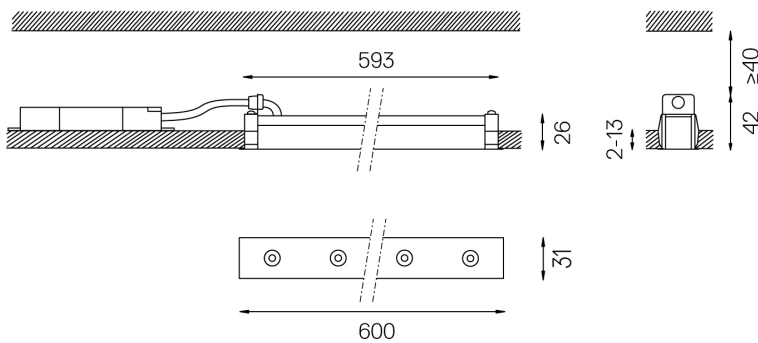
Application



Weight

mm

26x593



Finishes

- .01 White / RAL 9010
- .02 Black / RAL 9005