

9,8W / 860lm / 2700K / On/Off / Flood 56° / ø86x210

60271



Design: O/M + Bartenbach GmbH

Track-mounted spotlight with die-cast aluminium body with electrostatic 100% polyester paint finish. Reflector built based on micro surfaces with complex geometry coated with aluminium alloy, creating a high-gloss, entirely mirrored surface. Accurate reflector for a defined and controlled beam of light, achieving the maximum efficiency.

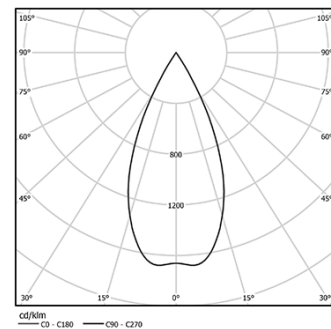
Orientable by 90° horizontal rotation and 330° vertical rotation.

Power supply incorporated.

LED CRI>90 / >50.000h, L80/B10
2-step MacAdam / Power supply included.
IP20 | 230Vac | 50/60Hz



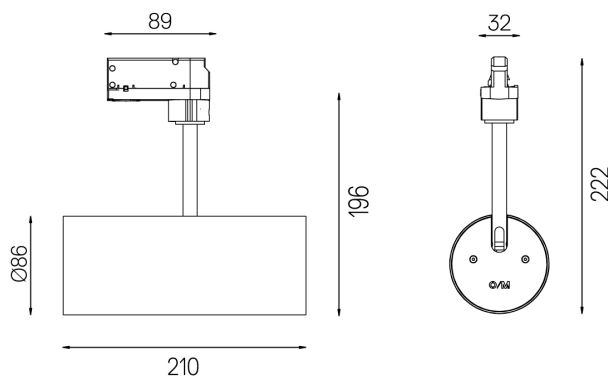
LED	2700K	Light Source	Luminaire
Power	9,8W		12W
Flux	955lm		860lm
Efficiency	97lm/W		72lm/W
LOR	-		90%
UGR	-		-



Beam angle
Flood 56°

Application

Weight
0,64Kg



Finishes

- .01 White / RAL 9010
- .02 Black / RAL 9005