

4,5W / 430lm / 2700K / DALI / Flood 59° / ø86mm

60274



Design: O/M + Bartenbach GmbH

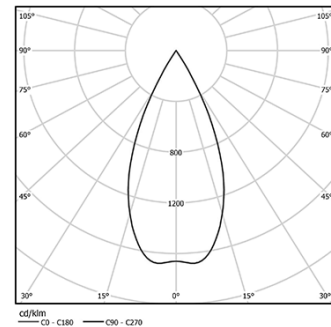
Track-mounted spotlight with die-cast aluminium body with electrostatic 100% polyester paint finish. Spot-lens with individual complex surface rips to provide a focal light and an extremely narrow beam. Orientable by 90° horizontal rotation and 330° vertical rotation.

Power supply incorporated.

LED CRI>90 / >50.000h, L80/B10  
2-step MacAdam / Power supply included.  
IP20 | 230Vac | 50/60Hz



LED	2700K	Light Source	Luminaire
Power	4,5W		5,8W
Flux	480lm		430lm
Efficiency	107lm/W		75lm/W
LOR	-		90%
UGR	-		230Vac

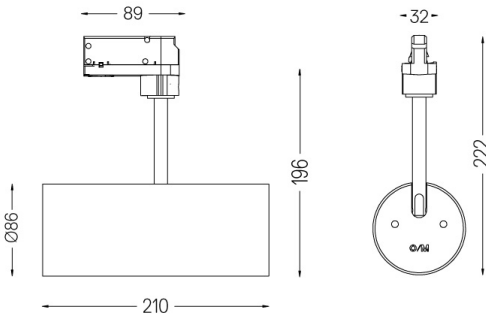


Beam angle  
Flood 59°

Application

Weight  
0,64Kg

mm



Finishes

- .01 White / RAL 9010
- .02 Black / RAL 9005