

4,5W / 460lm / 4000K / DALI / Medium 40° / ø86x210

60288



Design: O/M + Bartenbach GmbH

Track-mounted spotlight with die-cast aluminium body with electrostatic 100% polyester paint finish. Reflector built based on micro surfaces with complex geometry coated with aluminium alloy, creating a high-gloss, entirely mirrored surface. Accurate reflector for a defined and controlled beam of light, achieving the maximum efficiency.

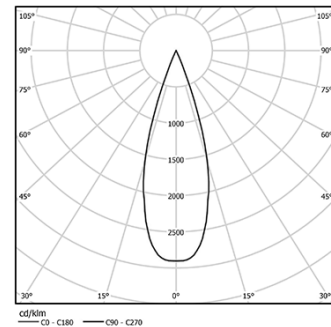
Orientable by 90° horizontal rotation and 330° vertical rotation.

Power supply incorporated.

LED CRI>80 / >50.000h, L80/B10  
2-step MacAdam / Power supply included.  
IP20 | 230Vac | 50/60Hz



LED	4000K	Light Source	Luminaire
Power		4,5W	5,3W
Flux		620lm	460lm
Efficiency		98lm/W	65lm/W
LOR		-	74%
UGR		-	-

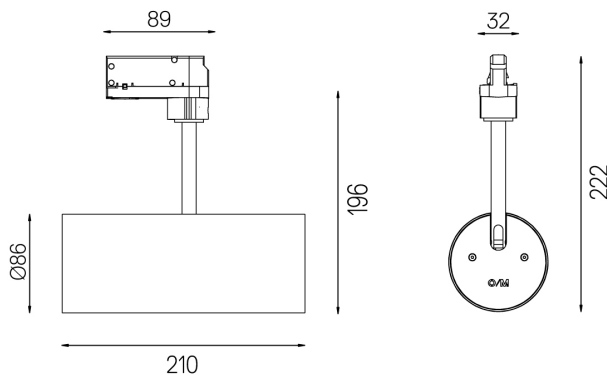


Beam angle  
Medium 40°

Application

Weight  
0,64Kg

mm



Finishes

- .01 White / RAL 9010
- .02 Black / RAL 9005

For the specific supply of "DALI 2" drivers, please contact:  
[support@om-light.com](mailto:support@om-light.com)