

Beam IP54

10W / 1065lm / 4000K / DALI / Flood 45° /
ø100

60466



Design: O/M

Ceiling-recessed luminaire made of aluminium die-cast.

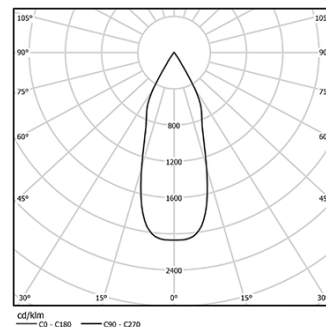
Recessing system with spring clips.

Recessing accessory for trimless version supplied separately.

LED CRI>80 / >50.000h, L80/B10
2-step MacAdam / 270mA power supply included
IP54 | 230Vac | 50/60Hz



LED	4000K	Light Source	Luminaire
Power	10W		12W
Flux	1450lm		1065lm
Efficiency	145lm/W		89lm/W
LOR	-		73%
UGR	-		<22



Beam angle
Flood 45°

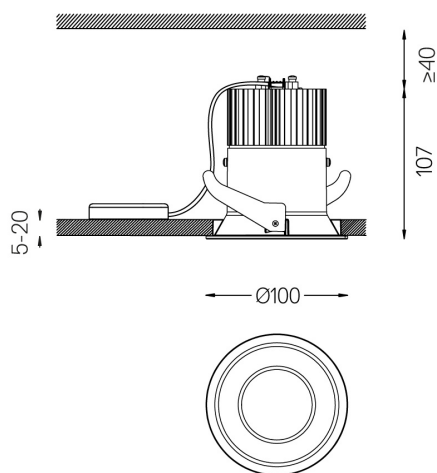
Application



Weight
0,5Kg

mm

ø95 (trim version)



Finishes

- .04
- .05

Ordered separately

59021 Accessory for flush installation

160x107x20mm

The cutout dimensions are for plasterboard ceilings. For other type of material please contact: support@om-light.com

Accessory for flush
installation

59021

Beam Ø100 accessory for flush
installation in false ceilings
For 12.5mm ceilings.



Weight
0.03Kg

Finishes
.99

1mm

Ø110

