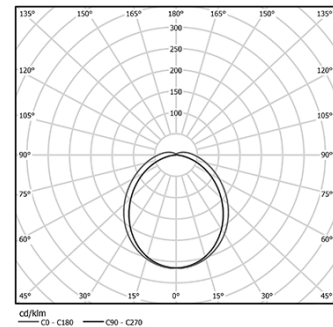


Design: Eduardo Souto de Moura
 Surface or pendant luminaire with tubular shock-resistant frosted polycarbonate body with 70mm diameter, having a non-condensing system consisting of a valve that prevents condensation inside the luminaire.
 Clear polycarbonate end caps with marked installation angles. Supplied with 30mm plastic cable gland.
 Fitting accessories ordered separately.

LED CRI>80 / >50.000h, L80/B10 / 3-step MacAdam
 Power supply included.
 IP67 | IK08 | 230Vac | 50/60Hz



LED	4000K	Light Source	Luminaire
Power		16W	19W
Flux		2750lm	2370lm
Efficiency		172lm/W	125lm/W
LOR		-	0.86
UGR		-	<25



Beam angle

-

Application



Weight

1,4Kg

mm

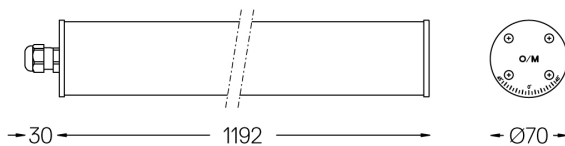
Finishes

● .25 Frost

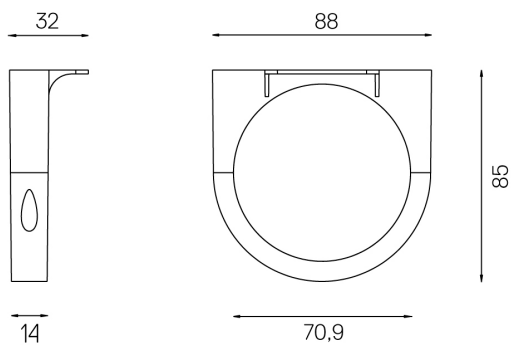
Ordered separately

43707 Surface Kit

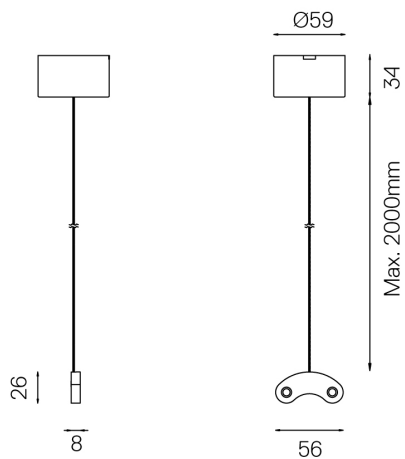
43711 Pendant Kit



1 mm



Set of 2 fitting accessories for surface version.



Set of fitting accessories for DALI pendant version. Includes:

- One clear polycarbonate power supply base (IP20).
- One clear power cable (2m).
- Two 1,2mm steel suspension cables (2m) with millimetric height adjustment system.