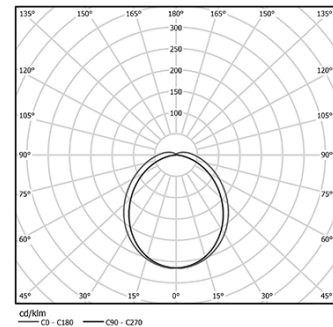


**Design:** Eduardo Souto de Moura  
 Surface or pendant luminaire with tubular shock-resistant frosted polycarbonate body with 70mm diameter, having a non-condensing system consisting of a valve that prevents condensation inside the luminaire.  
 Clear polycarbonate end caps with marked installation angles. Supplied with 30mm plastic cable gland.  
 Fitting accessories ordered separately.

LED CRI>80 / >50.000h, L80/B10 / 3-step MacAdam  
 Power supply included.  
 IP67 | IK08 | 230Vac | 50/60Hz



LED	4000K	Light Source	Luminaire
Power		32W	37W
Flux		5400lm	4760lm
Efficiency		169lm/W	129lm/W
LOR		-	0.88
UGR		-	<25



Beam angle

-

Application



Weight

2,6Kg

mm

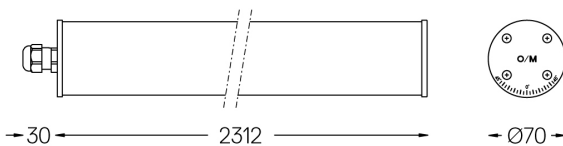
Finishes

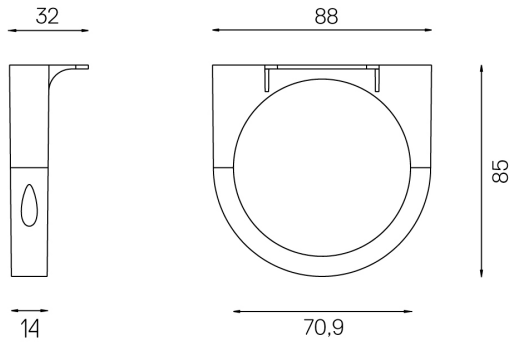
● .25 Frost

Ordered separately

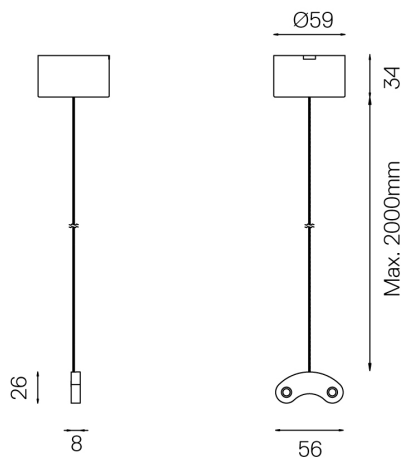
43708 Surface Kit (>2000mm)

43712 Pendant Kit (>2000mm)





Set of 3 fitting accessories for surface version.



Set of fitting accessories for DALI pendant version. Includes:

- One clear polycarbonate power supply base (IP20).
- One clear power cable (2m).
- Three 1,2mm steel suspension cables (2m) with millimetric height adjustment system.