

9,8W / 550lm / 2700K / On/Off / Spot 15° / ø86x210

63283



Design: O/M + Bartenbach GmbH

Track-mounted spotlight with die-cast aluminium body with electrostatic 100% polyester paint finish. Reflector built based on micro surfaces with complex geometry coated with aluminium alloy, creating a high-gloss, entirely mirrored surface. Accurate reflector for a defined and controlled beam of light, achieving the maximum efficiency.

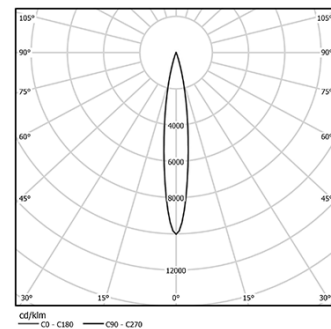
Orientable by 90° horizontal rotation and 330° vertical rotation.

Power supply incorporated.

LED CRI>90 / >50.000h, L80/B10  
2-step MacAdam / Power supply included.  
IP20 | 230Vac | 50/60Hz



LED	2700K	Light Source	Luminaire
Power	9,8W		12W
Flux	955lm		550lm
Efficiency	97lm/W		46lm/W
LOR	-		58%
UGR	-		-

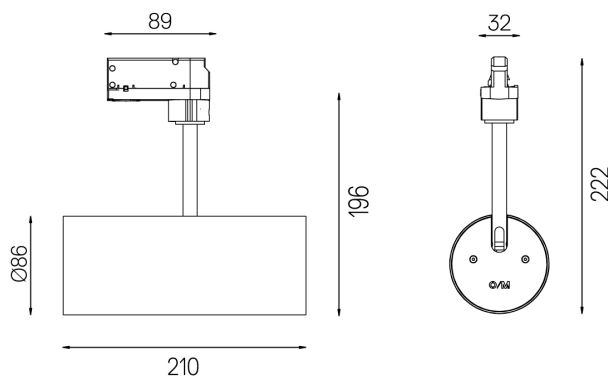


Beam angle  
Spot 15°

Application

Weight  
0,64Kg

mm



Finishes

- .01 White / RAL 9010
- .02 Black / RAL 9005