

5,6W / 370lm / 4000K / On/Off / Medium
41° / ø45mm

64472

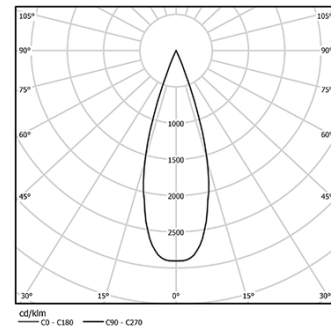


Design: O/M + Bartenbach GmbH
Recessed spotlight with die-cast aluminium body with electrostatic 100% polyester paint finish. Spot-lens with individual complex surface rips to provide a focal light and an extremely narrow beam. Orientable by 150° horizontal rotation and 330° vertical rotation.
Driver included.

LED CRI>90 / >50.000h, L80/B10
2-step MacAdam / Driver included.
IP20 | 230Vac | 50/60Hz



LED	4000K	Light Source	Luminaire
Power		5,6W	7W
Flux		460lm	370lm
Efficiency		82lm/W	53lm/W
LOR		-	80%
Operating Condition		-	230Vac



Beam angle
Medium 41°

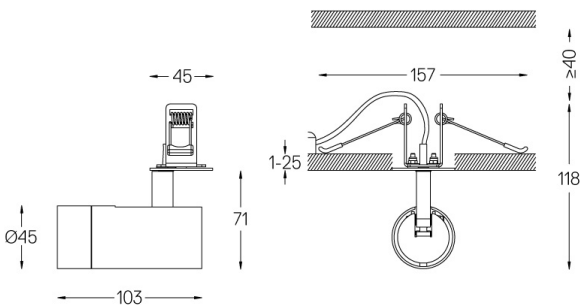
Application



Weight
0,27Kg



037



Finishes

- .01 White / RAL 9010
- .02 Black / RAL 9005

Optional

- 59072 1/4 CTO
ø35x1,1mm
- 59073 1/2 CTO
ø35x1,1mm
- 59074 Louvre
ø35x2mm
- 59075 Soft diffuser
ø35x2mm

The cutout dimensions are for plasterboard ceilings. For other type of material please contact: support@om-light.com

Data according to regulations

2019/2020/EU supplemented by 2021/341 | 2019/2015/EU supplemented by 2021/340/EU Energy Consumption Labelling Ordinance. This product contains a light source of efficiency class G Model Identifier 4053560313L