

3,7W / 315lm / 3000K / Flood 60° /
50x50mm

64801



Design: O/M

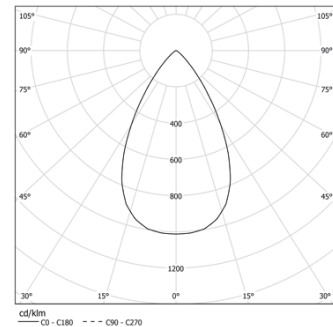
Ceiling-recessed luminaire made of aluminium die-cast.

Recessing system with spring clips.

LED CRI>90 / >50.000h, L80/B10
3-step MacAdam / Power supply not included
IP44 | 100mA



| LED | 3000K | Light Source | Luminaire |
|------------|---------|--------------|-----------|
| Power | 3,7W | 3,7W | 3,7W |
| Flux | 395lm | 315lm | 315lm |
| Efficiency | 107lm/W | 85lm/W | 85lm/W |
| LOR | - | - | 80% |
| UGR | - | - | <22 |



Beam angle
Flood 60°

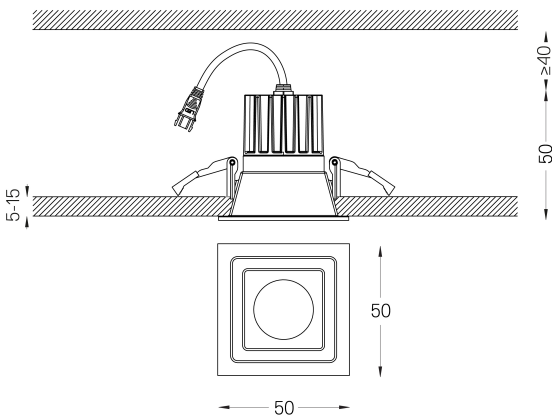
Application



Weight
0.08Kg



45x45



Finishes

- .04 Matt White
- .05 Matt Black

Mandatory

- 59088 Driver On/Off [100mA]
138x30x21mm
- 59089 Driver DALI [100mA]
144x30x21mm
- 59090 Driver PhaseCut [100mA]
122x41x23mm
- 59091 Driver 1-10V [120mA]
130x30x20mm

The cutout dimensions are for plasterboard ceilings. For other type of material please contact: support@om-light.com

The 5-year guarantee applies only when the luminaire and driver are supplied together.

Data according to regulations

2019/2020/EU supplemented by 2021/341 | 2019/2015/EU supplemented by 2021/340/EU Energy Consumption Labelling Ordinance. This product contains a light source of efficiency class F Model Identifier BXRH-30G1000-B-83