

Image not found or type unknown

Design: O/M + Bartenbach GmbH

Ceiling-recessed luminaire with aluminium die-cast body with electrostatic 100% polyester paint finish. Focal-lens with complex surfaces to provide a focal point through an 8mm aperture for low glare illumination.

Supplied with fermacell® plasterboard fiber recessing accessory or plasterboard.

Driver to be ordered separately.

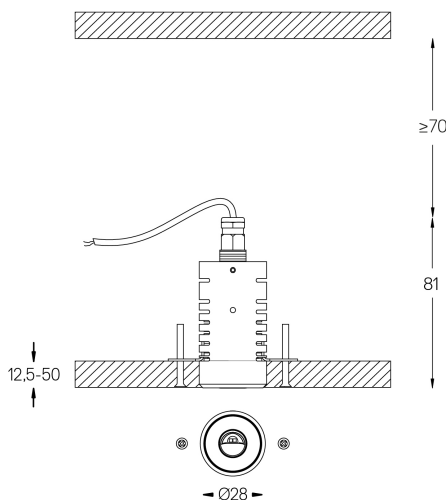
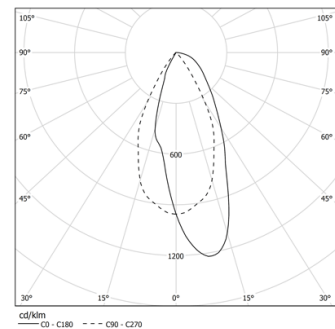
LED CRI>90 / >50.000h, L80/B10

2-step MacAdam

IP65



| LED | 3000K | Light Source | Luminaire |
|------------|-------|--------------|-----------|
| Power | | 4,2W | 4,2W |
| Flux | | 395lm | 285lm |
| Efficiency | | 94lm/W | 68lm/W |
| LOR | | - | 72% |
| UGR | | - | - |



Finishes

- .01 White / RAL 9010
- .02 Black / RAL 9005

Mandatory

- 59159** Driver On/Off [1 to 2 luminaires]
158x22x19mm
- 59160** Driver DALI [1 to 3 luminaires]
113x24x20mm

Optional

- 59013** Ceiling access hatch for drivers
365x365x13mm
- 59034** Plasterboard metal profile for Nub
250x47x18mm

The cutout dimensions are for plasterboard ceilings. For other type of material please contact: support@om-light.com