

26W / 1060lm / 2700K / On/Off / Spot 17° / 1200mm

65410



Structure

- 1 Profile
- 2 End caps
- 3 Fitting accessories
- 4 Profile coupling

Modules

- A inVision Module

Design: O/M + Bartenbach GmbH

inVision module with housing and perforated cover plate made of aluminium with textured-paint finish.

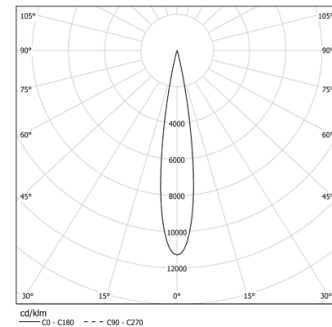
LED CRI>90 / >50.000h, L80/B10 / 2-step MacAdam

Power supply included.

IP20 | 230Vac | 50/60Hz



| LED | 2700K | Light Source | Luminaire |
|------------|-------|--------------|-----------|
| Power | | 26W | 30,7W |
| Flux | | 2410lm | 1060lm |
| Efficiency | | 96lm/W | 34lm/W |
| LOR | | - | 44% |
| UGR | | - | <10 |



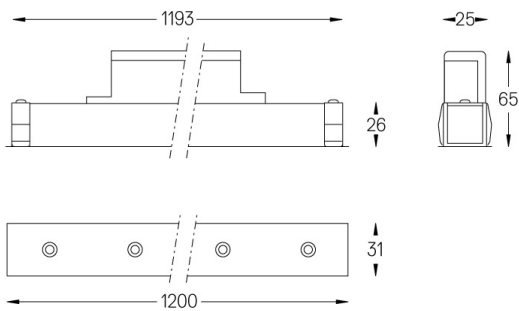
Beam angle
Spot 17°

Application



Weight
0,8Kg

mm



Finishes

- .01 White / RAL 9010
- .02 Black / RAL 9005

Choose the length and layout of the system exactly as you want it, to model the right lighting functions for different tasks. For further information please contact: support@om-light.com