

26W / 1250lm / 4000K / DALI / Spot 17° / 1200mm

65470



**Structure**

- 1 Profile
- 2 End caps
- 3 Fitting accessories
- 4 Profile coupling

**Modules**

- A inVision Module

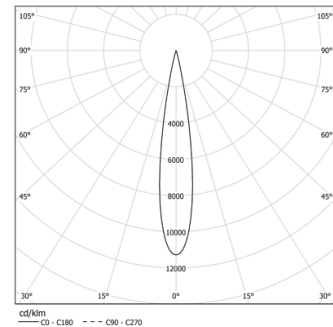
Design: O/M + Bartenbach GmbH

inVision module with housing and perforated cover plate made of aluminium with textured-paint finish.

LED CRI>90 / >50.000h, L80/B10 / 2-step MacAdam  
Power supply included.  
IP20 | 230Vac | 50/60Hz



LED	4000K	Light Source	Luminaire
Power		26W	30,7W
Flux		2845lm	1250lm
Efficiency		113lm/W	41lm/W
LOR		-	44%
UGR		-	<10



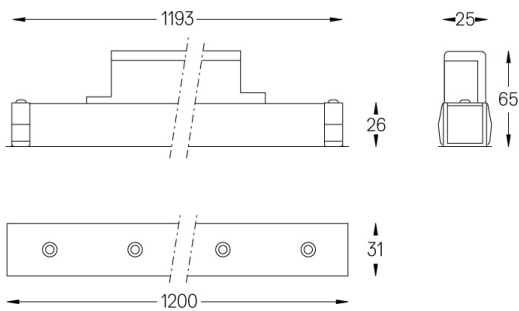
Beam angle  
Spot 17°

**Application**



Weight  
0,8Kg

mm



**Finishes**

- .01 White / RAL 9010
- .02 Black / RAL 9005

For the specific supply of "DALI 2" drivers, please contact:  
support@om-light.com

Choose the length and layout of the system exactly as you want it, to model the right lighting functions for different tasks. For further information please contact: support@om-light.com