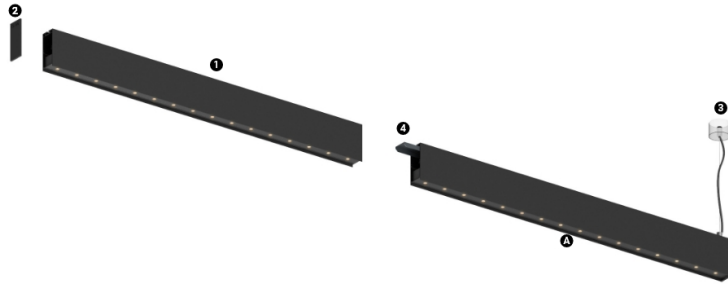


26W / 1130lm / 3000K / On/Off / Spot 17° / 1200mm

65650



Structure

- 1 Profile
- 2 End caps
- 3 Fitting accessories
- 4 Profile coupling

Modules

- A inVision Module

Design: O/M + Bartenbach GmbH

inVision module with housing and perforated cover plate made of aluminium with textured-paint finish.

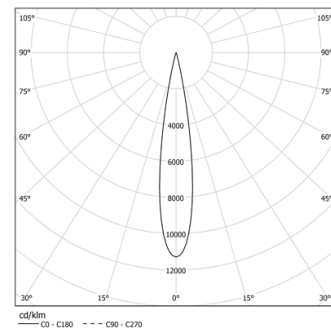
LED CRI>90 / >50.000h, L80/B10 / 2-step MacAdam

Power supply included.

IP20 | 230Vac | 50/60Hz



LED	3000K	Light Source	Luminaire
Power		26W	30,7W
Flux		2570lm	1130lm
Efficiency		102lm/W	37lm/W
LOR		-	44%
UGR		-	<10



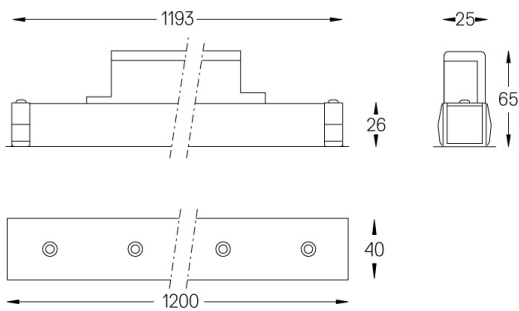
Beam angle
Spot 17°

Application



Weight
0,6Kg

mm



Finishes

Choose the length and layout of the system exactly as you want it, to model the right lighting functions for different tasks. For further information please contact: support@om-light.com