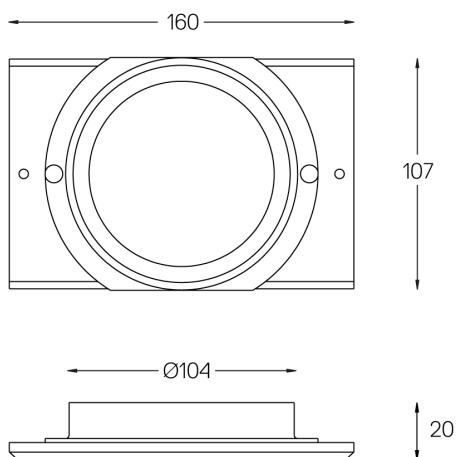


mm

ø110



Beam Ø100 accessory for flush installation in false ceilings For 12.5mm ceilings.

Weight  
0.03Kg

Finishes  
.99