

Structure

- ① Profile
- ② End caps
- ③ Fitting accessories
- ④ Profile coupling

Modules

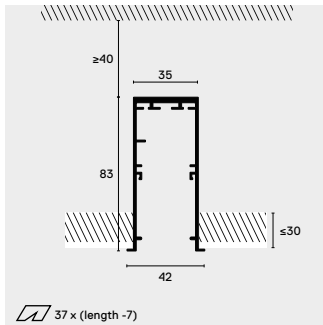
- Ⓐ Diffuse module
- Ⓑ Onit module
- Ⓒ inVision module
- Ⓓ Blind module

The attractive, laser-thin, minimalist modular system that couples general and accent lighting for staging key spaces. Made-to-measure and customisable: design the layout, define the size, and choose from a range of modules featuring the latest advances in light definition.

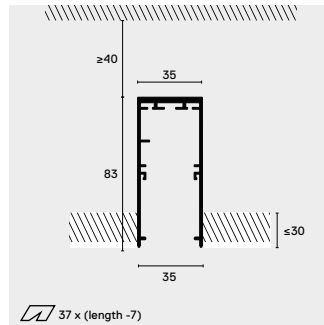
IP20 | 230Vac | 50/60Hz



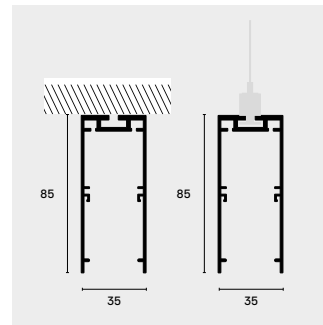
Structure



Recessed



Recessed trimless



Surface and Pendant

1 Profile

Unit=1m, maximum length per segment is 3m.

2 End caps

Set of two

3 Fitting accessories

Recessed and Recessed trimless fitting accessories

One on each end of the profile segment and every 1,16m.

Surface fitting accessories

One on each end of the profile segment and every 3m.

Pendant fitting accessories

One 2m steel cable (Ø1,2mm) with millimetric height adjustment system.

One on each end of the profile segment and every 3m.

4 Profile couplings

One between two profile sections

Profile coupling linear



Profile coupling corner



Profile coupling wall-ceiling



Power supply base

Clear base

Clear base DALI



Aluminium base

Aluminium base DALI

Total size of the Sys35

Profile length
Sum of all
modules lengths*

+



Set of Recessed
End caps
+11mm

or



Set of Standard
End caps
+11mm

or



Set of Slim
End caps
+5mm

*Diffuse module length = Sum of all LED light sources + 20mm (+3mm between LED light sources)

Please add the finish code to the end of the profile and end caps codes: ○ .01 White ● .02 Black ● .10 Anodised aluminium

Modules



The Sys35 can create both general and accent lighting from a single line. Choose from the light modules Diffuse, Onit or inVision and use the Blind modules to cover the profile in between.



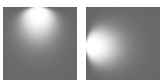
A Diffuse module

Frosted polycarbonate diffuser for all applications, friendly clipping system and double fitting system: flushed or recessed Unit=1m, maximum length per segment is 3m.

Diffuser Total Size

Sum of all LED light sources + 20mm

High-efficiency LED modules with excellent colour consistency and long operation lifespan.



General lighting

LED CRI>80

>50.000h L80/B10

3-step MacAdam

IP20 | 230Vac | 50/60Hz



B Onit module

Adjustable spotlight with aluminium body and accessories for final adjustment in light modeling.

Optional accessories

Available separately and easily applicable after installation.

Elliptical refractor
Soft diffuser
Louvre



Spot / Medium

LED CRI>90 2700K; CRI>80 3000K, 4000K.

>50.000h, L80/B10

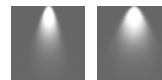
2-step MacAdam

IP20 | 230Vac | 50/60Hz



C inVision module

Using double-focus lens, inVision module is discreet, achieves great visual comfort and controlled light distribution.



Medium / Flood

LED CRI>90 2700K, 3000K; CRI>80 4000K, Tunable White.

>50.000h, L80/B10

2-step MacAdam

IP20 | 230Vac | 50/60Hz



D Blind module

Aluminium non-luminous module with electrostatic textured-finish paint available from 200mm to 1200mm.

Please add the finish code to the end of the module code:

○ .01 White ● .02 Black